



INSTALLATION INSTRUCTIONS

Accessory

SEAT COWL
P/N 08F80-MKJ-D00

Application

CB1000RA

Publication No.

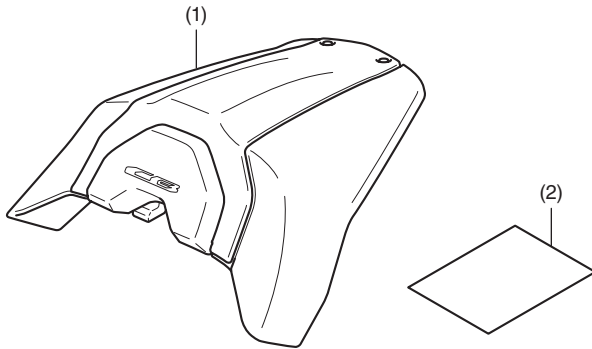
MII

Issue Date

December 2017

Honda Dealer: Please give a copy of these instructions to your customer.

PARTS LIST



No.	Description	Qty
(1)	Seat cowl	1
(2)	URL paper	1

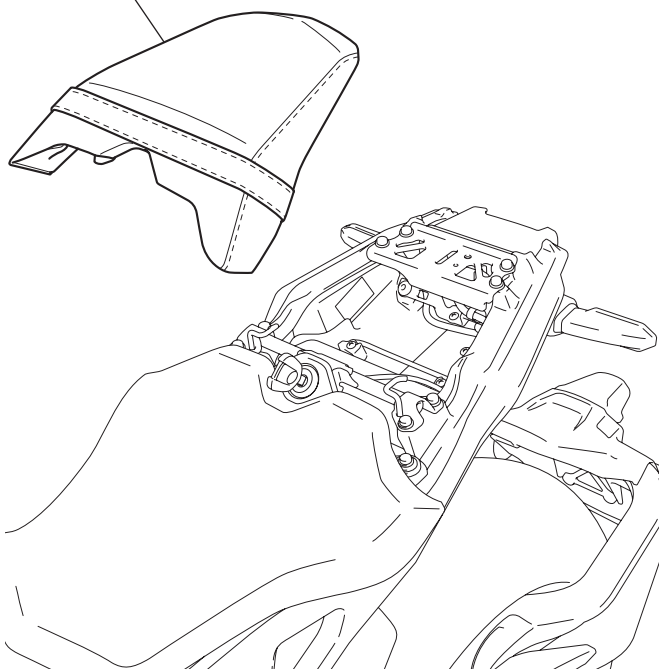
INSTALLATION

⚠ CAUTION

- To prevent burns, allow the engine, exhaust system, radiator, etc., to cool before installing the accessory.

1. Remove the pillion seat as shown.

PILLION SEAT (Save)



2. Install the seat cowl as shown.

- Insert the hook, and then press down the rear side of seat cowl to install.
- After installing, check that the seat cowl is locked securely. Failure to lock the seat cowl securely may cause it to fall off while riding.

